



GNT · GUT 直線型減變速馬達

Linear Type Gear Head with Motor

4 L 45 - 3

衝程速度 Stroke Speed 45mm/sec.

L: 水平推力 Horizontal Thrust

F: 垂直推力 Vertical Thrust

推桿斷面 Ram Section

2: 60mm(2GN)

4: 80mm(4GN)

5: 90mm(5GN)

6: 90mm(5GU)

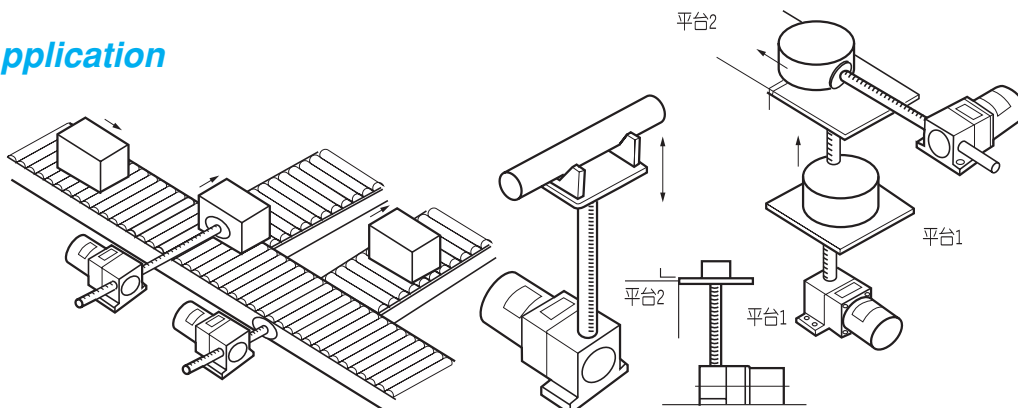
桿長代碼	適用型號
1: 100mm	2,4,5,6
2: 200mm	
3: 300mm	
4: 400mm	
5: 500mm	4,5,6
6: 600mm	
7: 700mm	
8: 800mm	

直線型齒輪箱特性表 Specifications of GNT (GUT) Type Gear Head with Motor

型號 Model No.	排桿座重量 Weight (kg)	排桿座寬度 (mm)	配合馬達機種 Applicable Motor	最大推力 Max. Thrust (kg)	基本速度 Speed (mm/sec)	直吊荷重 Permissible O.H.L. (kg)	衝程 Stroke (mm)	排桿重量 Weight (kg)	衝程 Stroke (mm)	排桿重量 Weight (kg)		
2 $\frac{L}{F}$ - □ - □	0.35	61	2IK6GN-□ 2IK6GN-□ B M206-□	20	10	3	100	0.19	400	0.53		
					20						500	0.64
					30						600	0.75
					40							
					50							
4 $\frac{L}{F}$ - □ - □	0.65	82	4IK25GN-□ 4IK25GN-□ B M425-□	70	10	5	200	0.37	500	1.34		
					20						600	1.59
					30						700	1.83
					40						800	2.04
					50							
5 $\frac{L}{F}$ - □ - □	0.87	82	5IK40GN-□ 5IK40GN-□ B M540-□	100	10	8	300	0.73	500	2.15		
					20						600	2.52
					30						700	2.87
					40						800	3.24
					50							
6 $\frac{L}{F}$ - □ - □	2	92	5IK60GU-□ 5IK60GU-□ B M560-□ 5IK90GU-□ 5IK90GU-□ B M590-□	140	10	8	400	0.73	500	2.15		
					20						600	2.52
					30						700	2.87
					40						800	3.24
					50							

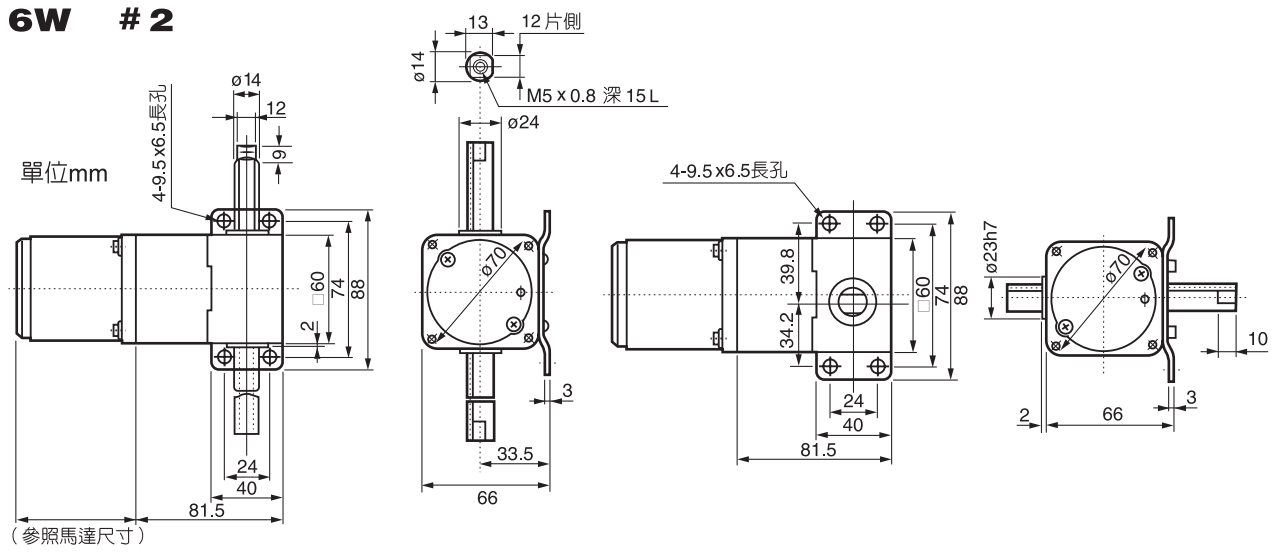
※ 最大推力以10mm/sec.及水平出力為基準；速度加快，推力降低。

用途例 Application

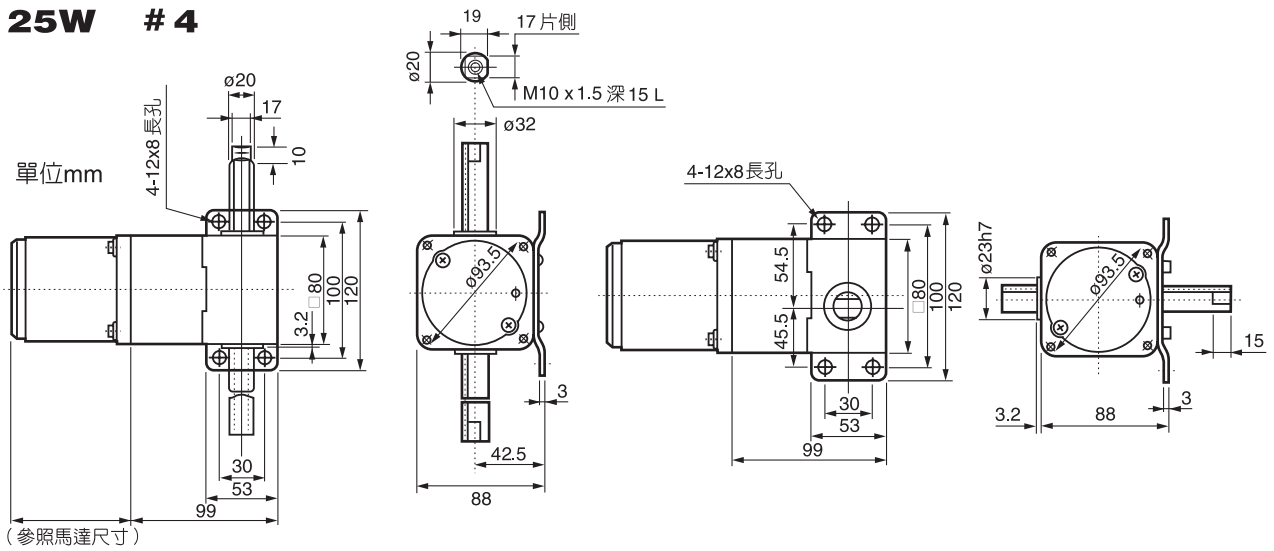


以上數值若有變動，恕不另行通知 We reserve the right to change without further notice.

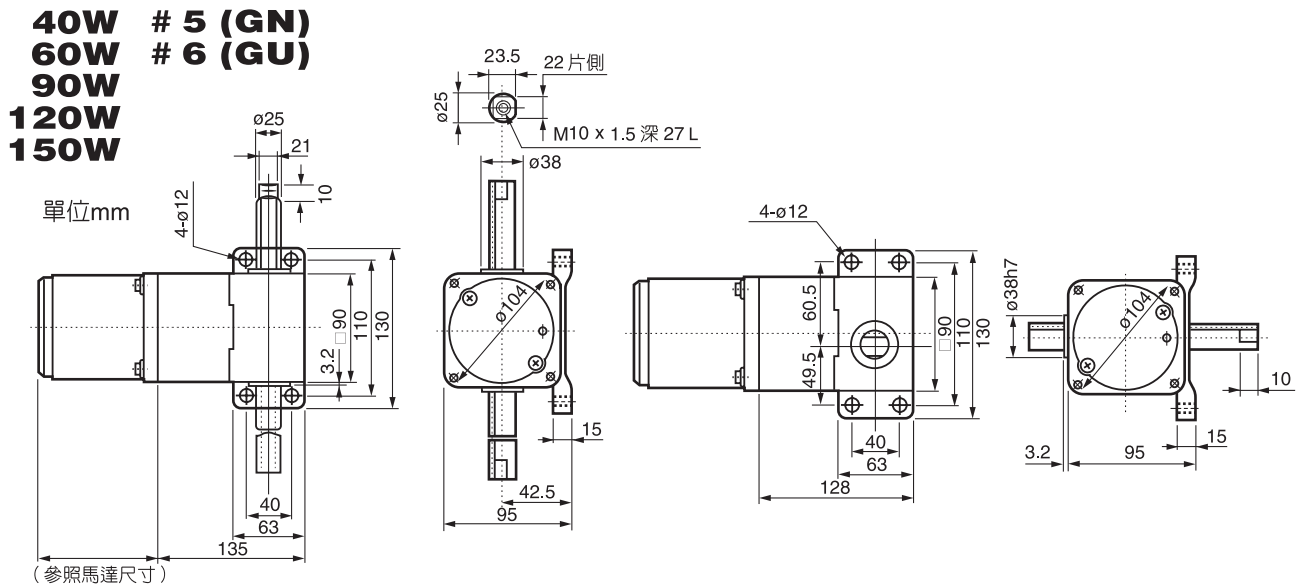
6W # 2



25W # 4



**40W # 5 (GN)
60W # 6 (GU)
90W
120W
150W**



以上數值若有變動，恕不另行通知 We reserve the right to change without further notice.